

1. INTRODUCTION

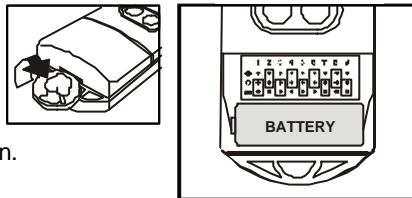
In this package, you will find a keychain transmitter with 12V alkaline battery, a mounting bracket and a clip.



2. CHANGE THE OPERATION CODE FOR BOTH TRANSMITTER AND RECEIVER

You have to setup the Model 318TN keychain transmitter to work with your Garage Door Receiver Model 318R or Wireless Switch Receiver Model SW-318R. [Note: This instruction does not demonstrate how the receiver should be installed. Please refer to the respective user's instructions, or visit our website.]

- 1 Pry off the battery cover of the transmitter with a coin, as shown.



You will see 9 connectors labeled from "1" to "9", as shown.



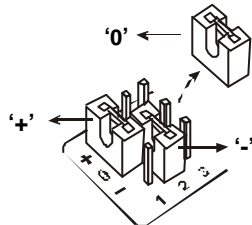
WARNING Remove the receiver from the electrical outlet before changing the code.

- 2 Remove the receiver from the electrical outlet.

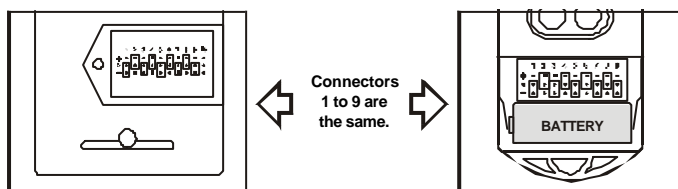
Remove the screw that holds the cover, and remove the cover.



- 3 You will see 10 connectors. If the connector is placed on the top and middle posts, that column is set on "+" . If the connector is placed on the middle and bottom posts, that column is set on "-" . If the connector is removed completely, (not placed on any post), it is set to "0" (see diagram). When removing a connector to set a column to "0", keep the connector in case you change the code at a later date.

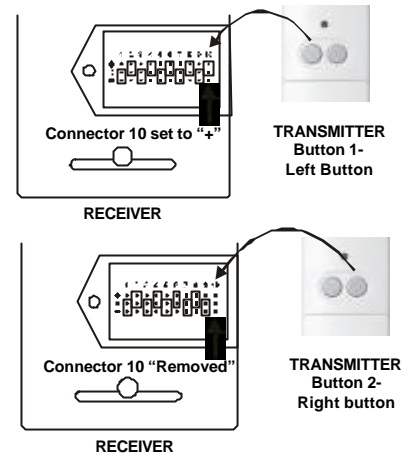


- 4 Match the setting of all 9 code connectors on the transmitter to the first 9 codes found on the receiver.



2 CHANGE THE OPERATION CODE FOR BOTH TRANSMITTER AND RECEIVER (CONT)

- 5 For connector 10 on the receiver, it may either be set to "+" or removed. If connector 10 is set to "+", the left button on the transmitter is used to control this receiver. If connector 10 is removed, the right button on the transmitter is used to control this receiver.



- 6 Put the cover and screw back onto the receiver. Plug the receiver into an electrical outlet.

- 7 Press the appropriate button on the transmitter to operate the receiver.

3. TROUBLE SHOOTING

Q: The receiver does not respond after pressing the button on the transmitter:

- A:**
- Ensure when the button is pressed on the transmitter, the red light on the transmitter comes on. Otherwise, check if the battery is inserted properly.
 - Ensure the correct button is pressed (refer to section 2.5). You can also try both buttons to see which one works.
 - Ensure the code connectors on the transmitter have the exact same setting as the first 9 code connectors on the receiver.
 - Ensure the receiver is plugged in to an electrical outlet properly.

4. ADDITIONAL RECEIVER

There are 2 buttons on your transmitter, they can be used to control another Skylink® Garage Door Receiver Model 318R (sold separately) or Skylink® Wireless Switch Receiver Model SW-318R (sold separately).



5. FCC

This device complies with Part 15 of the FCC Rules. Operation is subject to the following two conditions: (1) This device may not cause harmful interference, and (2) This device must accept any interference received, including interference that may cause undesired operation.

WARNING:

Changes or modifications to this unit not expressly approved by the party responsible for compliance could void the user's authority to operate the equipment.

6. WARRANTY

If, within one year from date of purchase, this product should become defective (except battery), due to faulty workmanship or materials, it will be repaired or replaced, without charge. Proof of purchase and a Return Authorization are required.

7. CUSTOMER SERVICE

If you would like to order Skylink's products or have difficulty getting them to work, please :

1. visit our FAQ section at www.skylinkhome.com, or
2. email us at support@skylinkhome.com, or
3. call our toll free at 1-800-304-1187 from Monday to Friday, 9 am to 5 pm EST. Fax 1-800-286-1320

CUSTOMER SERVICE

17 Sheard Avenue, Brampton, Ontario, Canada L6Y 1J3
 Email: support@skylinkhome.com
<http://www.skylinkhome.com>
 P/N: 101A218-002 Rev.2
 US Patent: D380895
 ©2005 SKYLINK GROUP